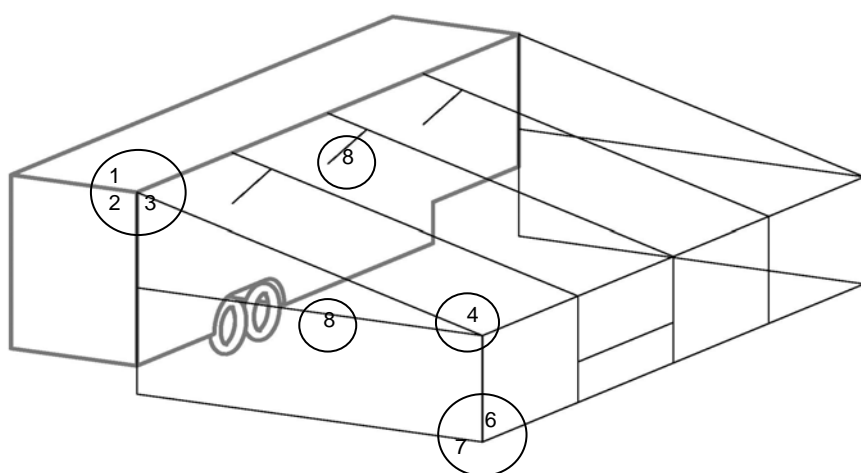


Spare Parts

For Race Awnings 2011

Content:

1. Hooks
2. Plates for hooks
3. Fittings for roof poles
4. Corner parts
5. Pole fasteners
6. Feet parts
7. Balustrade
8. Adjustable poles
9. Compressed air and electricity
10. Fittings and other parts
11. Poles and rails



all prices without VAT

1. Hooks

Order. Nr. Description

Price (Euro)



1-1 Hook big
80 x 50 mm

4,90



1-2 Hook big
for middle supporting pole

4,90



1-3 Hook small
55 x 55 mm

4,90



1-4 Hook big
with pin
80 x 50 mm

10,90



1-5 Hook for extension
80 x 50 mm

5,90



1-6 Hook for extension
55 x 55 mm

5,90



1-7 Cone with hook
for round poles

6,00

1-71 50mm
1-72 45mm

2. Plates for hooks

Order. Nr. Description

Price (Euro)



2-1 Plate, big
for hook 40 mm

5,30



2-2 Plate, big
for hook 40 mm
(small angled)

5,30



2-3 Plate, big
for hook 40 mm
(angle 90°)

9,40



2-4 Plate, big
for hook with pin

10,30



2-5 Special plate, small
for hook with pin

2,70



2-6 Frame for cone with hook

5,20



2-7 Plate
for extension
left or right

99,70

3. Fittings for roof poles

Order. Nr. Description

Price (Euro)



3-1 Plate, small

5,30



3-2 Plate for distance poles
double sided

9,40



3-3 Plate for distance poles
right or left side

9,40



3-4 Plate for distance poles
triple sided

13,70



3-5 Fastener for pole
40 x 40 mm

14,70



3-6 Internal Cup, big
70 x 40 mm

2,90



3-7 Internal Cup, small
50 x 50 mm

2,90

| Order. Nr. | Description | Price (Euro) |
|------------|-------------|--------------|
|------------|-------------|--------------|



| | | |
|-----|--|-------|
| 3-8 | Tension part for divided roof poles | 17,20 |
|-----|--|-------|



| | | |
|-----|-----------------------|------|
| 3-9 | Hook for tension part | 2,90 |
|-----|-----------------------|------|



| | | |
|------|---|------|
| 3-10 | Sleeve for pole 55x55 mm without spring-bolt | 5,90 |
|------|---|------|



| | | |
|------|--|-------|
| 3-11 | iron strengthening for divided roof poles | 19,00 |
|------|--|-------|

4. Corner parts

Order. Nr. Description Price (Euro)



4-1 Corner part with hinge and cup for roof pole 80 x 50 mm complete 135,00
4-11 left side
4-12 middle
4-13 right side



4-14 lower part of the hinge with bolt 18,50



4-2 Corner part, fixed, for roof pole 80 x 50 mm complete 138,00
4-21 left side
4-22 middle
4-23 right side



4-3 Corner part, adjustable, no hinge, for roof pole 80 x 50 mm complete 174,00
4-31 left side
4-32 middle
4-33 right side



4-4 Corner part, fixed for roof pole 55 x 55mm complete 89,00
4-41 left side
4-42 middle
4-43 right side



4-5 Corner part, adjustable for roof pole 55 x 55 mm complete 119,00
4-51 left side
4-52 middle
4-53 right side



4-6 Corner part, fixed for roof pole 45 x 45mm complete 86,00
4-61 left side
4-62 middle
4-63 right side



4-7 Corner part, adjustable
for roof poles 45 x 45 mm
complete 111,00

4-71 left side
4-72 middle
4-73 right side



4-8 Corner part
for round poles 50mm 144,60

4-81 left side
4-82 middle
4-83 right side

length of the existing poles needed

5. Pole fasteners

Order. Nr. Description

Price (Euro)



5-1 Pole fastener
Profil 45 x 45mm
left

7,90



5-2 Pole fastener
Profil 45 x 45mm
right

7,90



5-3 Pole fastener
Profil 45 x 45mm
adjustable
right

8,40



5-4 Pole fastener
Profil 45 x 45mm
adjustable
left

8,40



5-5 Pole fastener
Profil 35 x 35mm

5-51

left

7,90

5-52

right

7,90

Profil 45 x 45mm

5-53

left

7,90

5-54

right

7,90



5-6 Pole fastener
Profil 35 x 35mm
right

7,90



5-7 Pole fastener
Profil 35 x 35mm
left

7,90

Order. Nr. Description Price (Euro)



5-8 Pole fastener
for pole 55 x 55mm and
Profil 45 x 45mm

6,40



5-9 Pole fastener
for pole 55 x 55mm and
Profil 45 x 45mm

6,40



5-10 Pole fastener
for pole 55 x 55mm and
Profil 45 x 45mm

7,40



5-11 Pole fastener
for pole 35 x 35mm

5,90



5-12 Pole fastener
for pole 35 x 35mm

6,40



5-13 Pole fastener
for pole 35 x 35mm

6,40



5-14 Sliding rail
for pole fasteners

1,90

| Order. Nr. | Description | Price (Euro) |
|------------|-------------|--------------|
|------------|-------------|--------------|



| | | |
|------|---|------|
| 5-15 | Sleeve for pole 35 x 35 mm incl. fitting | 7,90 |
|------|---|------|



| | | |
|------|---------------------------------------|------|
| 5-16 | Trunk pole long (without screw) | 7,90 |
|------|---------------------------------------|------|



| | | |
|------|---|-------|
| 5-17 | Trunk pole long (without screw) double sided | 11,40 |
|------|---|-------|



| | | |
|------|--|------|
| 5-18 | Trunk pole short (without screw) | 7,90 |
|------|--|------|

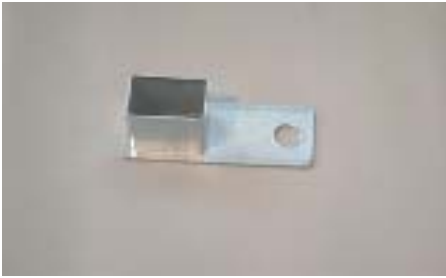


| | | |
|------|--|------|
| 5-19 | connector for aluminium pole 45x45 mm | 5,90 |
|------|--|------|

6. Feet parts

Order. Nr. Description

Price (Euro)



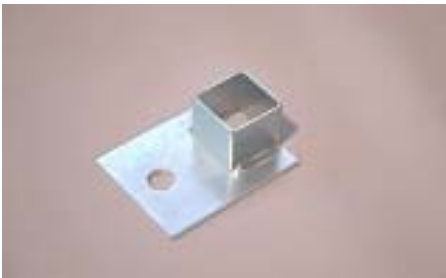
6-1 Foot, big
for pole 90 x 50mm

4,40



6-2 Foot, small
for pole 55 x 55mm

4,40



6-3 Foot, small
for pole 35 x 35mm

4,40



6-4 Adjustable foot
6-41 for pole 90 x 50mm
6-42 for pole 55 x 55mm

15,90



overshoe
matches to 6-4 incl. 10-5
6-43 right
6-44 left
6-45 middle

19,90



6-5 Foot, adjustable
for pole 35 x 35mm

11,70



6-7 Foot for middle supporting pole

16,90

7. Balustrade

Order. Nr. Description

Price (Euro)



7-1 Hook, small
90°

3,70



7-2 Hook, small
45°

3,70



7-3 Hook, small
90° with adjusting-hole

3,70



7-4 Sleeve for balustrade, doublesided

7-41 for pole 55 x 55mm

9,30

7-42 for pole 35 x 35mm

9,90



7-5 Sleeve for balustrade, single

7-51 for pole 55 x 55mm

8,90

7-52 for pole 35 x 35mm

8,90



7-6 Fitting for balustrade-pole

8,40

8. Teleskoprohr

Order. Nr. Description

Price (Euro)



8-1 Hook for round pole
50mm

3,90



8-2 Endpiece with flange
for round pole 50 mm

3,90



8-3 Sleeve for round pole 50 mm
matches with 1-2

8-31 to rivet
8-32 to clamp

5,40

6,90



8-4 Cone with fitting

8-41 for pole 45 mm
8-42 for pole 55 mm

12,90

12,90



8-5 Sleeve for round pole 55 mm
single

5,90



8-6 Sleeve for round pole 55 mm
double

6,90



8-7 Special anchorage

8-71
8-72
8-73

silver
white
black

7,90
7,90
7,90

| Order. Nr. | Description | Price (Euro) |
|------------|-------------|--------------|
|------------|-------------|--------------|



| | | |
|-----|-------------------|------|
| 8-8 | Special anchorage | 7,40 |
|-----|-------------------|------|



| | | |
|-----|-------------------|------|
| 8-9 | Special anchorage | 5,40 |
|-----|-------------------|------|



| | | |
|------|---|------|
| 8-10 | Anchorage (stainless steel) with internal thread | 6,50 |
|------|---|------|



| | | |
|------|-----------------------|-------|
| 8-11 | flagholder 2 parts | 18,50 |
|------|-----------------------|-------|

9. Compressed air / electricity**Order. Nr. Description****Price (Euro)**9-1 Metal part for
airsocket

4,90

9-2 Airsocket
for air tube

15,90

9-3 Airplug
for air tube

4,40



9-4 Air tube

3,70 / lfm



9-5 Socket for electrical system

13,70



9-6 Plug for electrical system

12,90



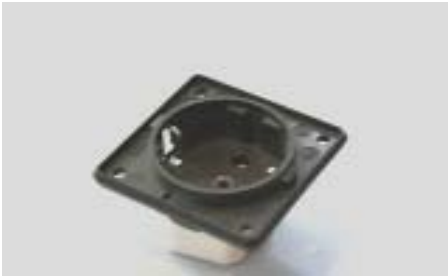
9-7 Light switch

8,70

Light switch, dimable

78,00

| Order. Nr. | Description | Price (Euro) |
|------------|-------------|--------------|
|------------|-------------|--------------|



| | | |
|-----|--------|-------|
| 9-8 | Socket | 14,00 |
|-----|--------|-------|



| | | |
|-----|-----------------------|-------|
| 9-9 | Covering frame double | 13,00 |
|-----|-----------------------|-------|



| | | |
|------|-----------------------|------|
| 9-10 | Covering frame single | 6,50 |
|------|-----------------------|------|



| | | |
|------|--------------|------|
| 9-11 | Small plug | 4,00 |
| | Small socket | 4,00 |



| | | |
|------|-----------------------|--------|
| 9-12 | Strip light, complete | 135,00 |
|------|-----------------------|--------|

| | | |
|------|------------------------------------|-------|
| 9-13 | Glas for strip light, very durable | 49,00 |
|------|------------------------------------|-------|

| | | |
|------|---------------------|-------|
| 9-14 | Bag for strip light | 31,00 |
|------|---------------------|-------|

10. Fittings and other parts**Order. Nr. Description****Price (Euro)**

10-1 Corner part for extension

8,90

10-2 Spindle for corner part
single or double threaded

9,70

10-3 Movable plate for spindle
complete

11,50



10-4 Plate

2,50



10-5 Spring bolt

3,00



10-6 Spring pin

5,00



10-7 Knob with screw

10-71
10-72M8 2,00
M10 2,50

| Order. Nr. | Description | Price (Euro) |
|------------|-------------|--------------|
|------------|-------------|--------------|



| | | |
|-------|---------------------------|----------|
| 10-8 | Knob with internal thread | |
| 10-81 | | M8 1,70 |
| 10-82 | | M10 1,70 |



| | | |
|------|-------------------------------------|------|
| 10-9 | Knob for crank with internal thread | 2,30 |
|------|-------------------------------------|------|



| | | |
|-------|--------------------------|-------|
| 10-10 | Crank for tension-system | 10,50 |
|-------|--------------------------|-------|



| | | |
|---------|----------------|-------|
| 10-11 | Pin, big | |
| 10-11/1 | 60 cm, D=22 mm | 11,70 |
| 10-11/2 | 80 cm, D=25 mm | 12,90 |



| | | |
|-------|----------------|------|
| 10-12 | Pin, small | 8,90 |
| | 40 cm, D=14 mm | |



| | | |
|-------|-------------------|------|
| 10-13 | Fitting with ring | 3,50 |
|-------|-------------------|------|



| | | |
|-------|--------------------|------|
| 10-14 | Special plate, fix | 0,90 |
|-------|--------------------|------|

| Order. Nr. | Description | Price (Euro) |
|------------|-------------|--------------|
|------------|-------------|--------------|



| | | |
|-------|------------------------|------|
| 10-15 | Special plate, movable | 0,90 |
|-------|------------------------|------|



| | | |
|-------|-----------------------|------|
| 10-16 | Strip for corner part | 2,70 |
|-------|-----------------------|------|



| | | |
|-------|-------------------------|------------|
| 10-17 | Rubber for sliding rail | 1,90 / lfm |
|-------|-------------------------|------------|



| | | |
|-------|------------------------|-------|
| 11-18 | waterbag with strap | 69,00 |
|-------|------------------------|-------|

11. Poles and rails

Order. Nr. Description Price (Euro)



11-1 Aluminium pole 90 x 50mm silver 18,30 / lfm

length 6 / 3.4 / 2.08 mtr



11-2 Aluminium pole 45 x 45mm silver 8,70 / lfm

length 6 mtr



11-3 Aluminium pole 35 x 35mm silver 6,90 / lfm



11-4 Aluminium pole, silver

11-41 55mm 7,80 / lfm

11-42 45mm 5,90 / lfm

11-43 40mm 5,70 / lfm

11-44 35mm 5,70 / lfm



11-5 Aluminium pole 80 x 50mm silver 16,70 / lfm

length 9.8 / 7.85 / 6 mtr



11-6 Aluminium tube, silver

11-61 70x3 9,50 / lfm

11-62 50x2 4,00 / lfm

11-63 50x1,5 4,00 / lfm

11-64 45x2 4,00 / lfm

11-65 40x2 4,00 / lfm

11-66 35x2 3,50 / lfm

11-67 30x2 3,00 / lfm



11-7 Sliding rail, big, 10 mm

11-71 silver 6,50 / lfm

11-72 white 6,50 / lfm

11-73 black 6,50 / lfm

length 6 mtr

| Order. Nr. | Description | Price (Euro) |
|------------|-------------|--------------|
|------------|-------------|--------------|



| | | |
|------|----------------------------------|------------|
| 11-8 | Sliding rail, small, 8 mm silver | 6,50 / lfm |
|------|----------------------------------|------------|

| | | |
|--------|-------|--|
| length | 5 mtr | |
|--------|-------|--|



| | | |
|------|-------------------------------------|------------|
| 11-9 | Sliding rail, without flange silver | 5,90 / lfm |
|------|-------------------------------------|------------|

| | | |
|--------|-------|--|
| length | 5 mtr | |
|--------|-------|--|



| | | |
|-------|------------------------------|------------|
| 11-10 | Sliding rail, angeled silver | 6,50 / lfm |
|-------|------------------------------|------------|

| | | |
|--------|-------|--|
| length | 5 mtr | |
|--------|-------|--|



| | | |
|-------|---------------------------------|-------------|
| 11-11 | aluminium pole 110x70 mm silver | 29,00 / lfm |
|-------|---------------------------------|-------------|

| | | |
|--------|----------------------|--|
| length | 9.8 / 7.85 / 6.4 mtr | |
|--------|----------------------|--|



| | | |
|-------|-----------------------------------|-------------|
| 11-12 | aluminium pole 128 x 90 mm silver | 32,00 / lfm |
|-------|-----------------------------------|-------------|